

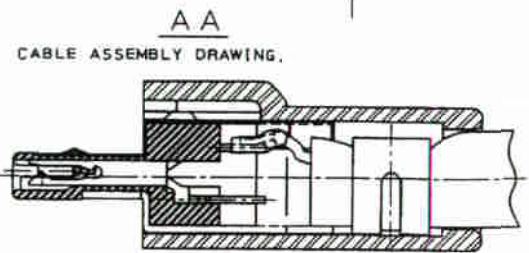
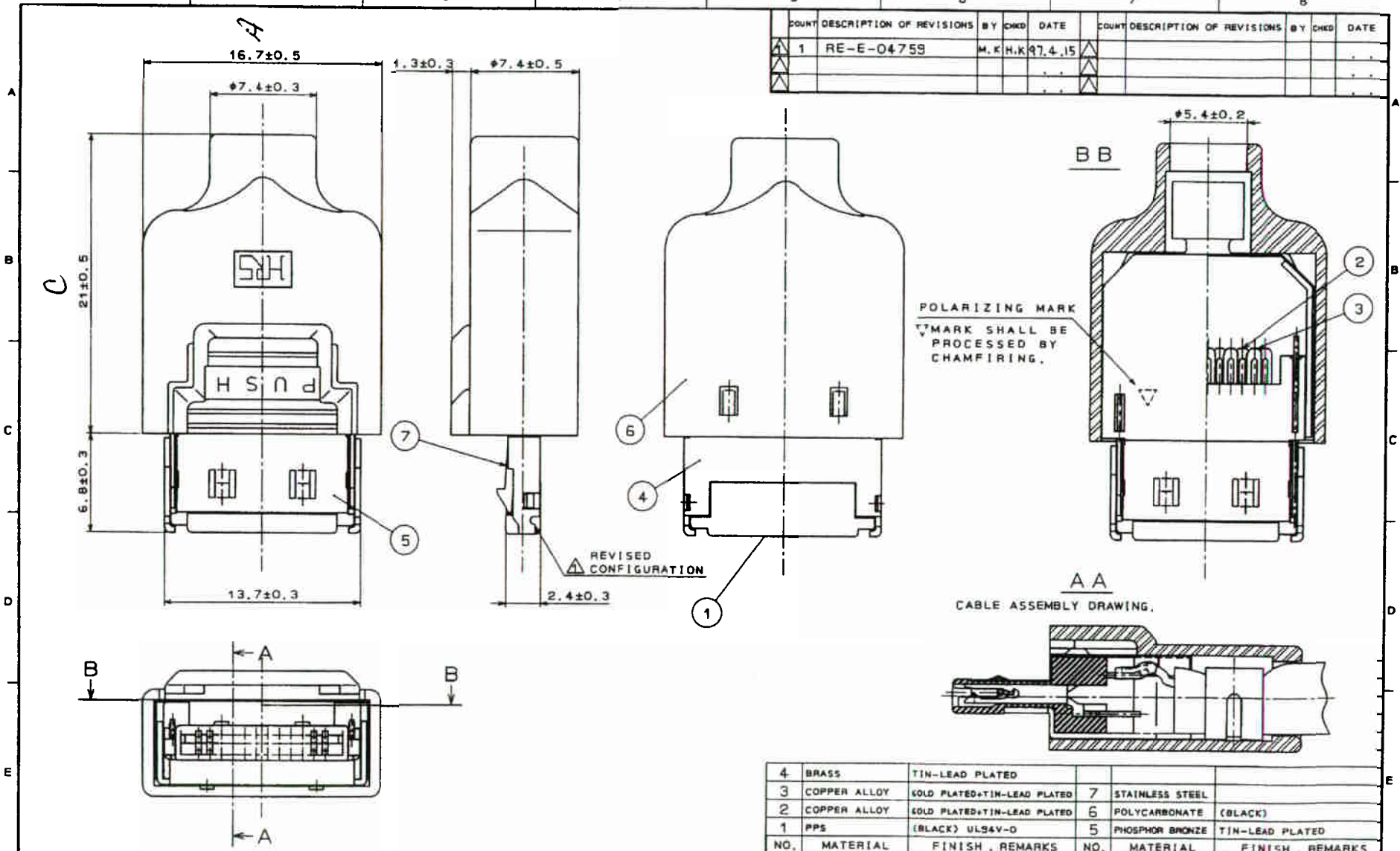
[Drawing for reference] This is subject to change without notice.

COUNT	DESCRIPTION OF REVISIONS	BY	CHKD	DATE	COUNT	DESCRIPTION OF REVISIONS	BY	CHKD	DATE
APPLICABLE STANDARD									
RATING	OPERATING TEMPERATURE RANGE	-30 TO 70°C		STORAGE TEMPERATURE RANGE	-5 TO 5				
	VOLTAGE	AC 125 V		OPERATING HUMIDITY RANGE	5% TO 95%				
	CURRENT	0.5 A		APPLICABLE CABLE					
SPECIFICATIONS									
ITEM	TEST METHOD			REQUIREMENTS			QT	AT	
CONSTRUCTION									
GENERAL EXAMINATION	VISUALLY AND BY MEASURING INSTRUMENT.			ACCORDING TO DRAWING.					
MARKING	CONFIRMED VISUALLY.								
ELECTRICAL CHARACTERISTICS									
CONTACT RESISTANCE	1 mA (DC OR 1000 Hz).			40 mΩ MAX. (D)					
CONTACT RESISTANCE MILLIVOLT LEVEL METHOD.	20 mV MAX. — mA (DC OR 1000 Hz).								
INSULATION RESISTANCE	100 V DC			250 MΩ MIN.					
VOLTAGE PROOF	300 V AC FOR 1 min.			NO FLASHOVER OR BREAKDOWN.					
MECHANICAL CHARACTERISTICS									
CONTACT INSERTION AND EXTRACTION FORCES	— BY STEEL GAUGE.			INSERTION FORCE — N MAX. EXTRACTION FORCE — N MIN.					
INSERTION AND WITHDRAWAL FORCES	MEASURED BY APPLICABLE CONNECTOR.			INSERTION FORCE 20 N MAX. EXTRACTION FORCE 2 N MIN.					
MECHANICAL OPERATION	10000 TIMES INSERTIONS AND EXTRACTIONS.			① CONTACT RESISTANCE: 60 mΩ MAX. ② NO DAMAGE, CRACK AND LOOSENESS OF PARTS.					
VIBRATION	FREQUENCY 10 TO 55 Hz, SINGLE AMPLITUDE 1.52 mm, — m/s ² AT 2 Hz FOR 3 DIRECTIONS.			① NO ELECTRICAL DISCONTINUITY OF 5 Hz.					
SHOCK	490 m/s ² DURATION OF PULSE 11 ms AT 3 TIMES FOR 3 DIRECTION.			① NO DAMAGE, CRACK AND LOOSENESS OF PARTS.					
ENVIRONMENTAL CHARACTERISTICS									
RAPID CHANGE OF TEMPERATURE	TEMPERATURE -55 -5 to 25 -5 to 25°C TIME 30 -10 to 15 -30 -10 to 15 min UNDER 5 CYCLES.			① CONTACT RESISTANCE: — mΩ MAX. ② INSULATION RESISTANCE: — MΩ MIN. ③ NO DAMAGE, CRACK AND LOOSENESS OF PARTS.					
DAMP HEAT (STEADY STATE)	EXPOSED AT 60 t. 90 to 95% H. 96 h.			① CONTACT RESISTANCE: — mΩ MAX. ② INSULATION RESISTANCE: 100 MΩ MIN. (AFTER DRY) ③ NO DAMAGE, CRACK AND LOOSENESS OF PARTS.					
CORROSION SALT MIST	EXPOSED IN 5% SALT WATER SPRAY FOR 48 h.			① CONTACT RESISTANCE: — mΩ MAX. ② NO HEAVY CORROSION.					
HYDROGEN SULPHIDE	EXPOSED IN — PPM FOR — h. (TEST STANDARD: JEIDA-38)								
LOCKING FORCE	PULL THE CONNECTOR, CABLE AXIALLY			50 N MIN					
	PULL THE CONNECTOR, 90° UP, DOWN AND SIDWAYS			25 N MIN					
(D) WITHOUT BULK RESISTANCE									
DRAWING FOR REFERENCE This is subject to change without notice									
REMARKS				DRAWN	DESIGNED	CHECKED	APPROVED	RELEASED	
Unless otherwise specified, refer to JIS C 5102.				K. Hoshino 95.11.8	Y. Gami 95.11.9	J. A. S. 95.11.9	S. Iwata 95.11.9	1185 1.911 1111	
Note QT: Qualification Test AT: Assurance Test ○: Applicable Test									
HRS HIROSE ELECTRIC CO., LTD.				SPECIFICATION SHEET			PART NO. 3240-12P-TO-C		
CODE NO. (OLD)	DRAWING NO.			CODE NO.					
CL	SLC1-120221			CL 232-0069-8			1/1		

TO
Q1

[Drawing for reference] This is subject to change without notice.

COUNT	DESCRIPTION OF REVISIONS	BY	CHKD	DATE	COUNT	DESCRIPTION OF REVISIONS	BY	CHKD	DATE
1	RE-E-04758	M.K.H.K.		97.4.15					



NOTE 1. THE REFERENCE NOS. ④ ⑤ ⑥ SHALL BE ATTACHED.

DRAWING FOR REFERENCE
This is subject to change without notice

4	BRASS	TIN-LEAD PLATED					
3	COPPER ALLOY	GOLD PLATED+TIN-LEAD PLATED	7	STAINLESS STEEL			
2	COPPER ALLOY	GOLD PLATED+TIN-LEAD PLATED	6	POLYCARBONATE (BLACK)			
1	PPS	(BLACK) ULS4V-0	5	PHOSPHOR BRONZE	TIN-LEAD PLATED		

NO.	MATERIAL	FINISH, REMARKS	NO.	MATERIAL	FINISH, REMARKS

CODE NO. (OLD)	DRAWN	DESIGNED	CHECKED	APPROVED	RELEASED
	K. HIROKAWA	Y. ENAMI	T. ASO	S. KIKUTA	95.11.9
	95.11.9	95.11.9	95.11.9	95.11.9	95.11.9

DRAWING NO.	PART NO.
EDC3-120221	3240-12P-TO-C
SCALE	CODE NO.
4 : 1	CL232-0069-8
UNITS	
mm	

TO
Q1